

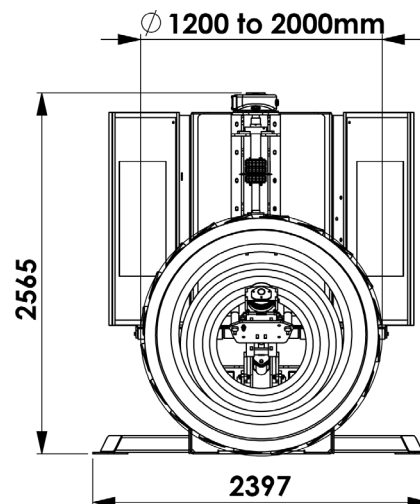
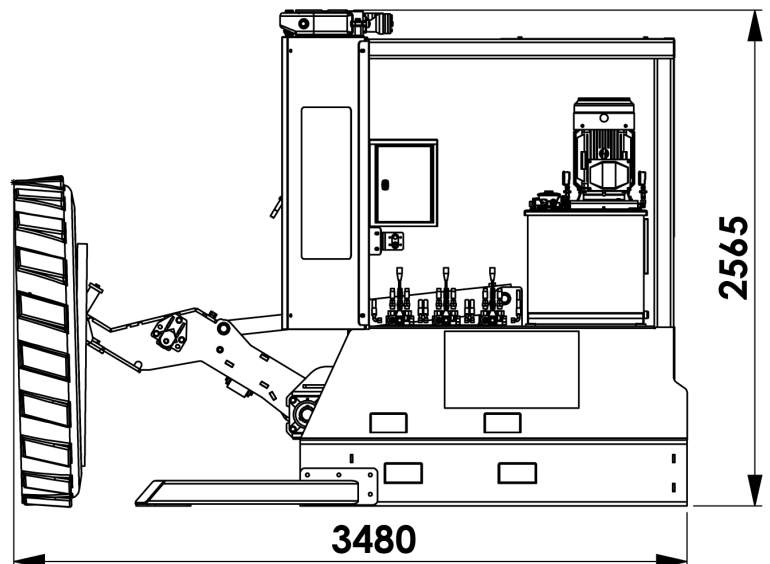
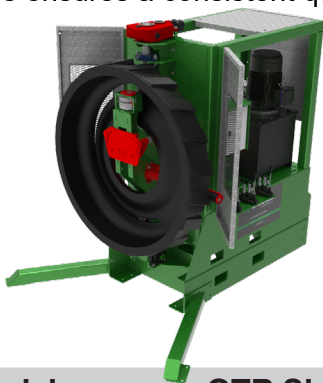
# G140 PRE CRUSH STATIC COMPACTOR

## ENGINEERING SOLUTIONS FOR THE WASTE & RECYCLING INDUSTRIES

The Gradeall OTR sidewall cutter has been developed from our experience of the well established Gradeall truck tyre sidewall cutter. Specifically the Gradeall OTR sidewall cutter has been designed to cut the large tyres fitted on 'Off The Road' OTR equipment such as the heavy plant used at quarries and mines. This machine provides a cost effective and easy to operate solution to what, for a long time has been a hard to deal with type of waste.

This machine will cut OTR tyres in excess of 2000mm, a heavy duty chassis balanced for the extreme weights of these tyres ensures the machine remains firmly fixed to the ground and able to cut tyres with ease. With the sidewall removed the bead is isolated from the tyre making it significantly easier process the tyre further by various means including shredding.

- Cut large OTR off the road tyres
- Simple to operate hydraulic control levers
- Easy to change blade
- Quick isolation of the tyre bead
- Tyre rollers ensures a consistent quality of cut



Model	OTR Sidewall Cutter
Height (mm)	2365
Length (mm)	4500
Width (mm)	2050
Power supply	415v 3 Phase
Motor Size (Kw)	15
Machine weight (Kg)	2500
Noise Level (dB)	80

